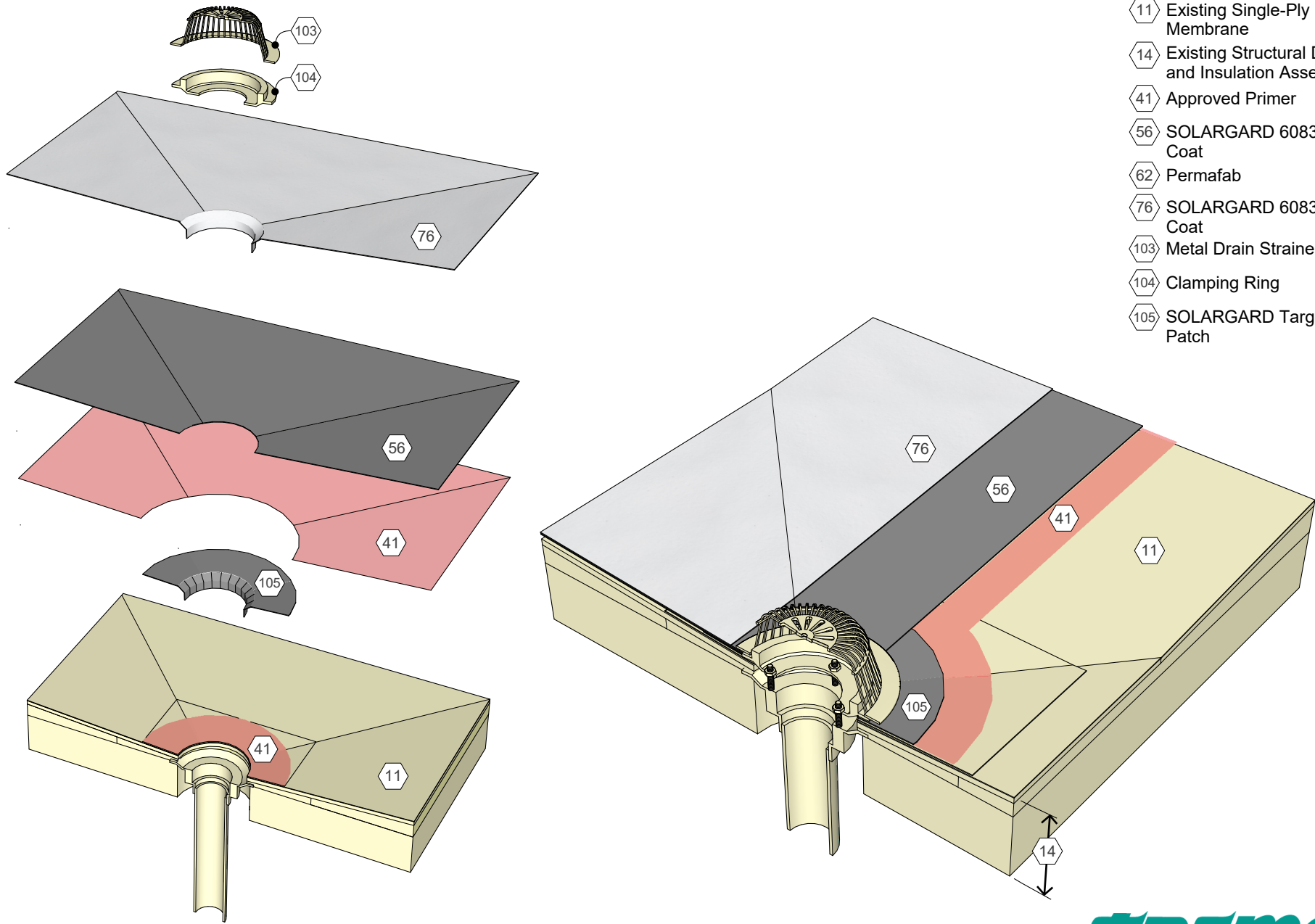


KEY NOTES

- 11 Existing Single-Ply Membrane
- 14 Existing Structural Deck and Insulation Assembly
- 41 Approved Primer
- 56 SOLARGARD 6083 Base Coat
- 62 Permafab
- 76 SOLARGARD 6083 Finish Coat
- 103 Metal Drain Strainer
- 104 Clamping Ring
- 105 SOLARGARD Target Patch

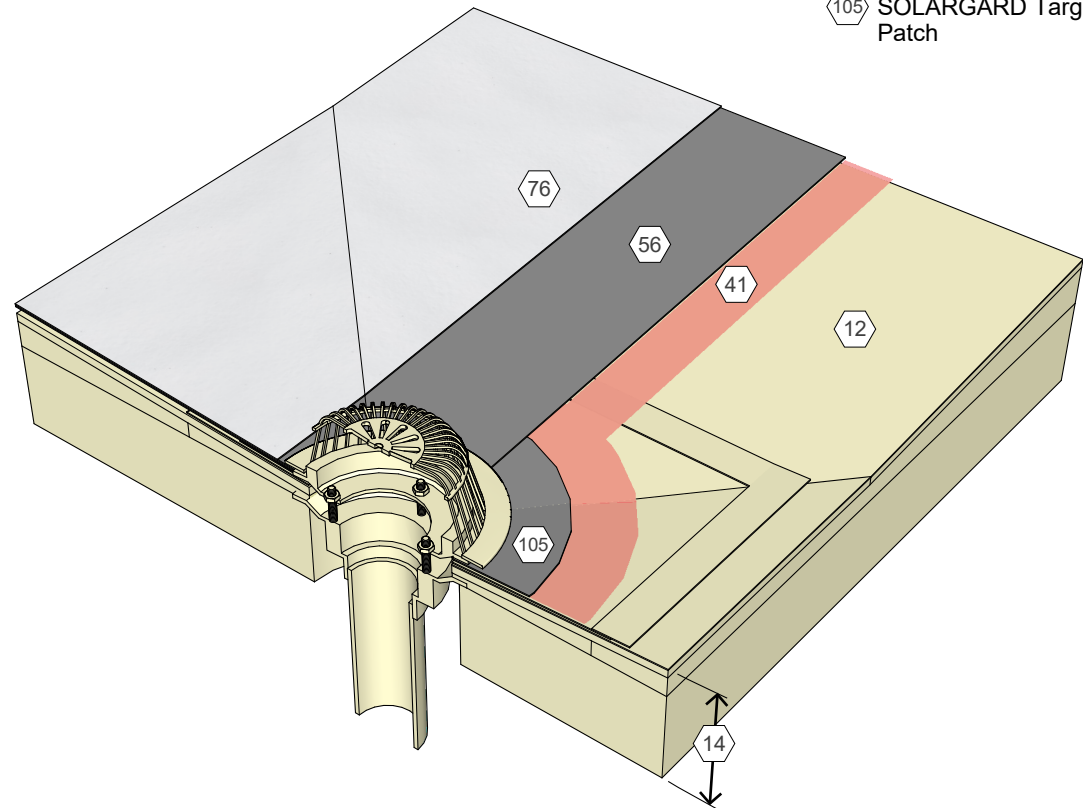
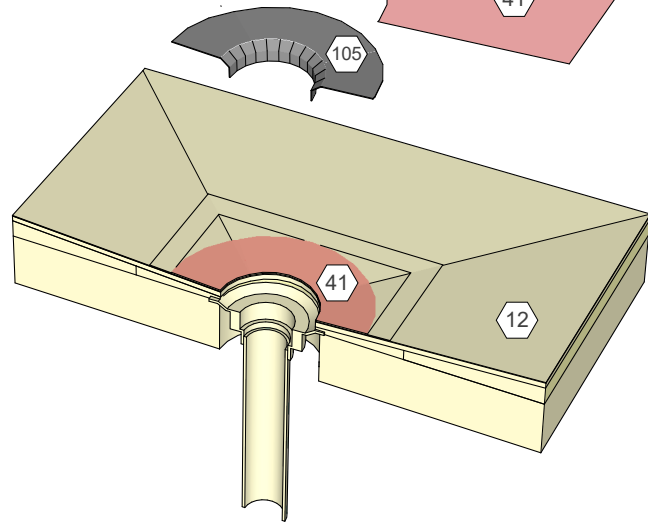
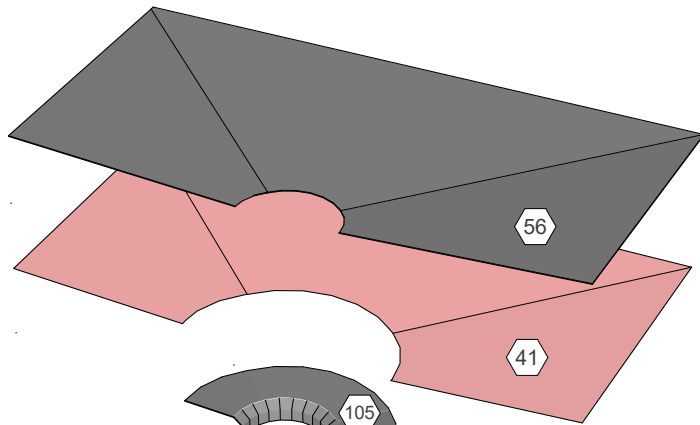
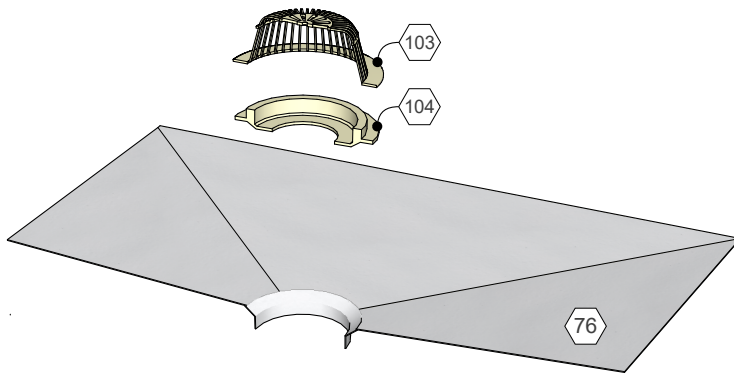


SOLARGARD® 6083 Restoration Detail, Single-Ply, Roof Drain
Detail 18221

TREMCO
ROOFING & BUILDING MAINTENANCE

KEY NOTES

- 12 Existing MB or Smooth BUR
- 14 Existing Structural Deck and Insulation Assembly
- 41 Approved Primer
- 56 SOLARGARD 6083 Base Coat
- 62 Permafab
- 76 SOLARGARD 6083 Finish Coat
- 103 Metal Drain Strainer
- 104 Clamping Ring
- 105 SOLARGARD Target Patch



SOLARGARD® 6083 Restoration Detail, MB or Smooth BUR, Roof Drain
Detail 18222